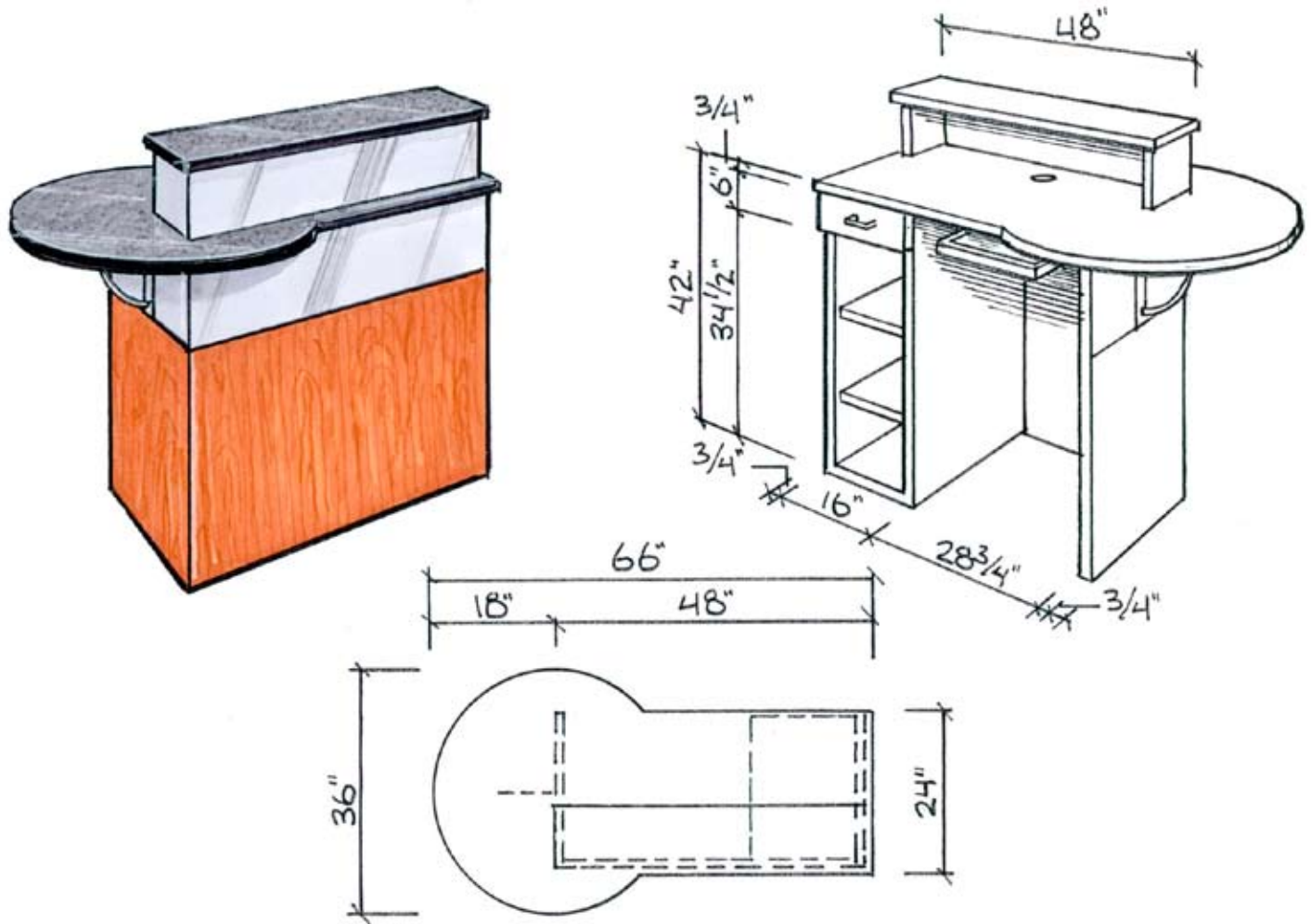




## SERVICE ADVISOR DESKS

With pride, CREST offers quality, flexible, and affordable furniture for all possible needs for the automotive dealership industry. We can suit your size and space as well as address your special needs in customer service tables, reception desks, and service areas.



### SWD04-PCF: Product Specifications

Durable, commercial grade, laminate service advisor desk

36"D x 66"W x 42"H

Top: Carbon Granite

Base: Pearwood, Accent: Folkstone

2 adjustable shelves, top drawer & keyboard tray

Available in various colors.

Specify right or left (shown) pedestal.

[www.autodealershipfurniture.com](http://www.autodealershipfurniture.com)

CREST Manufacturing Corporation  
12490 49th Street N.  
Clearwater, Florida 33762

Toll Free: 877.821.2274  
Telephone: 727-572-5590  
Fax: 727-572-4775

**SWD04-PCF**