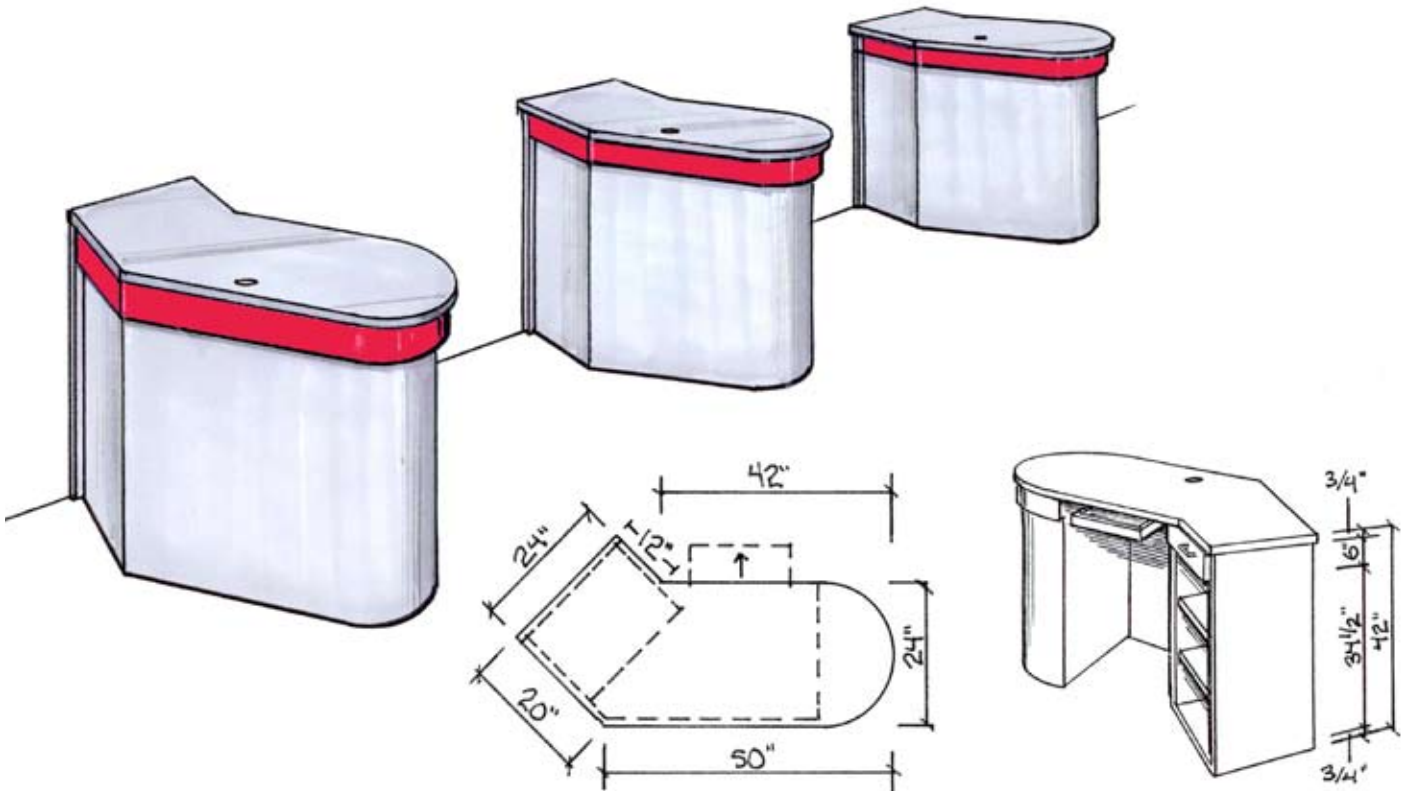




## SERVICE ADVISOR DESKS

With pride, CREST offers quality, flexible, and affordable furniture for all possible needs for the automotive dealership industry. We can suit your size and space as well as address your special needs in customer service tables, reception desks, and service areas.



### SWD05-FB: Product Specifications

Durable, commercial grade, laminate service advisor desk.

24"D x 42"W x 42"H

Top & Base: Folkstone

Accent: Red

2 adjustable shelves, top drawer & keyboard tray

Available in various colors.

Specify right or left (shown) pedestal.

[www.autodealershipfurniture.com](http://www.autodealershipfurniture.com)

CREST Manufacturing Corporation  
12490 49th Street N.  
Clearwater, Florida 33762

Toll Free: 877.821.2274  
Telephone: 727-572-5590  
Fax: 727-572-4775

**SWD05-FR**



## OPTIONS

With pride, CREST offers quality, flexible, and affordable furniture for all possible needs for the automotive dealership industry. We can suit your size and space as well as address your special needs in customer service tables, reception desks, and service areas. Various options/specifications can be added to create the most functional working environment.



### Riser

Respect your customer/ employee space with the addition of a service riser on any of our advisor desks or as an addition to reception stations.



### Cabinet Doors

Shelving storage units can be installed with cabinet doors completing an organized and clean work space. Locks are also available.

### Shelving Unit/ Drawers

Configured on right or left sides. Open, adjustable shelves, or drawer units available.



### Keyboard tray/ Pencil drawer

Keep the work space organized with a pencil drawer or add to the comfort and performance with a keyboard tray.



### Articulating Monitor Arm

Monitor arms provide ergonomic comfort and space savings.

### CPU Box Mount

Keep computers safe and clean by including a mount shelf for the CPU box.

[www.autodealershipfurniture.com](http://www.autodealershipfurniture.com)

CREST Manufacturing Corporation  
12490 49th Street N.  
Clearwater, Florida 33762

Toll Free: 877.821.2274  
Telephone: 727-572-5590  
Fax: 727-572-4775

**OPTIONS**