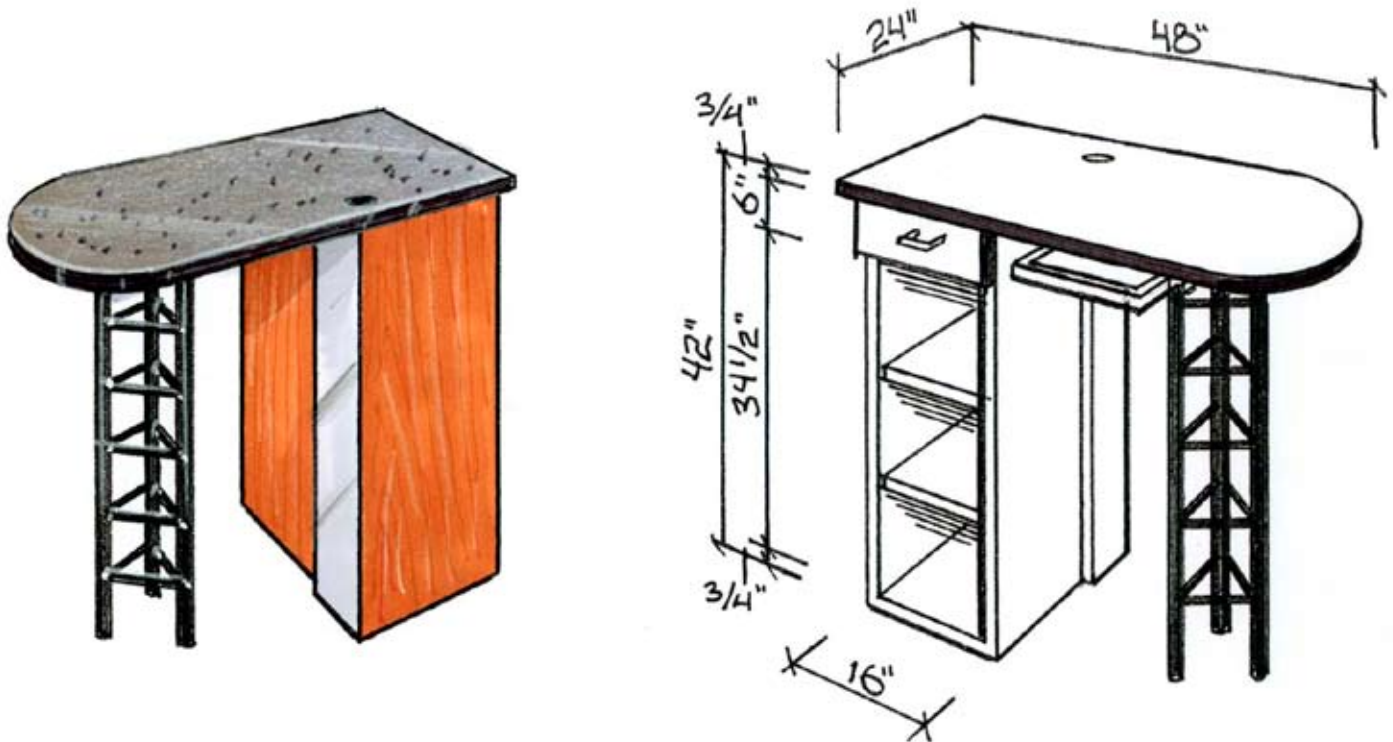




SERVICE ADVISOR DESKS

With pride, CREST offers quality, flexible, and affordable furniture for all possible needs for the automotive dealership industry. We can suit your size and space as well as address your special needs in customer service tables, reception desks, and service areas.



SWD03-PC -BK: Product Specifications

Durable, commercial grade, laminate service advisor desk
24\"D x 48\"W x 42\"H

Top: Carbon Granite, Base: Pearwood

Accent: Brushed Metal

Tripod: Black

2 adjustable shelves, top drawer & keyboard tray

Available in various colors

www.autodealershipfurniture.com

CREST Manufacturing Corporation
12490 49th Street N.
Clearwater, Florida 33762

Toll Free: 877.821.2274
Telephone: 727-572-5590
Fax: 727-572-4775

SWD03-PC-BK