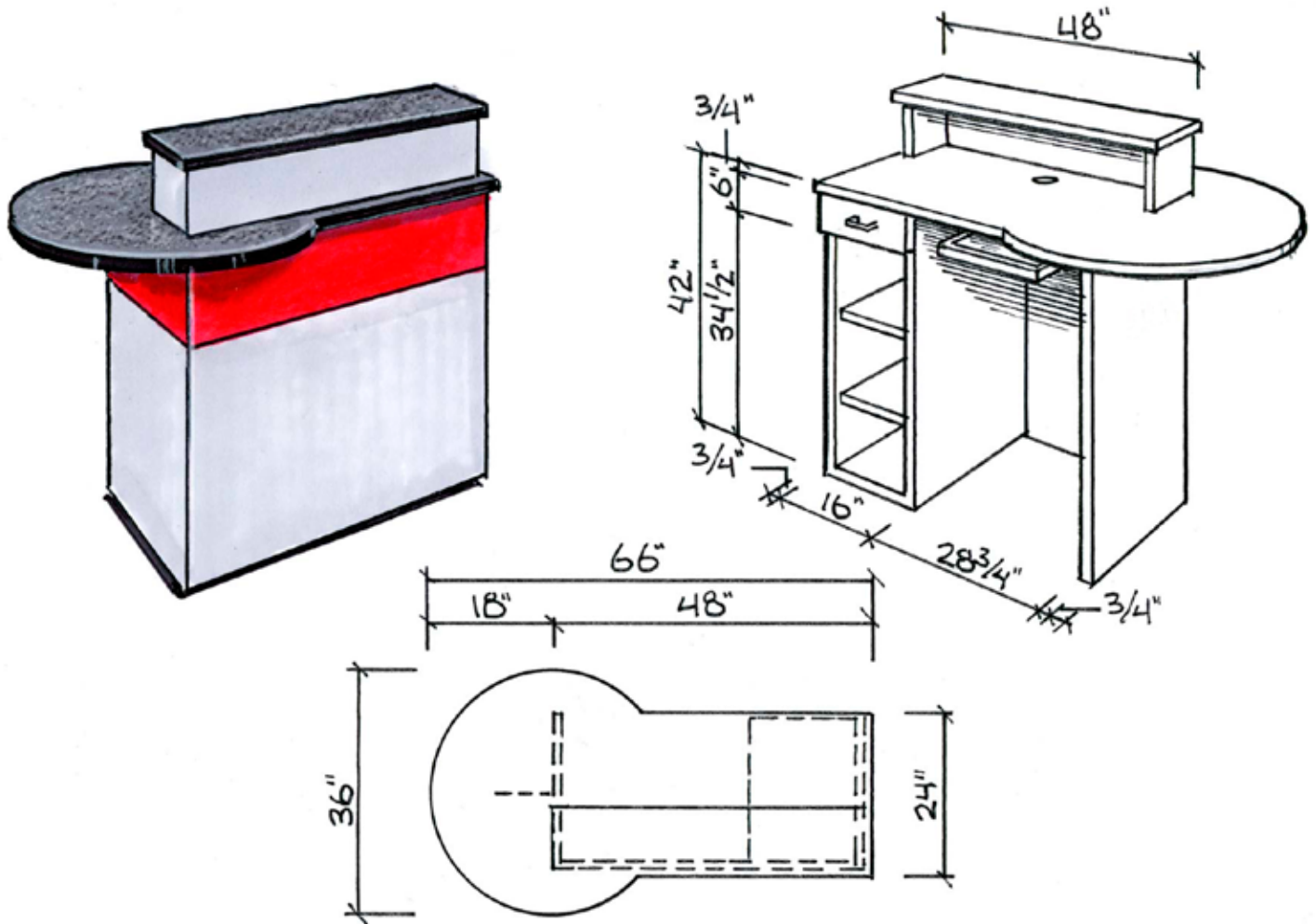




## SERVICE ADVISOR DESKS

With pride, CREST offers quality, flexible, and affordable furniture for all possible needs for the automotive dealership industry. We can suit your size and space as well as address your special needs in customer service tables, reception desks, and service areas.



### SWD04-FCR: Product Specifications

Durable, commercial grade, laminate service advisor desk

36" D x 66" W x 42" H

Top: Carbon Granite

Base: Folkstone Accent: Red

2 adjustable shelves, top drawer & keyboard tray

Available in various colors.

Specify right or left (shown) pedestal.

[www.autodealershipfurniture.com](http://www.autodealershipfurniture.com)

CREST Manufacturing Corporation  
12490 49th Street N.  
Clearwater, Florida 33762

Toll Free: 877.821.2274  
Telephone: 727-572-5590  
Fax: 727-572-4775

**SWD04-FCR**



# OPTIONS

>P[O WYPKL \*9,.; VMMLYZ X\HSP[` ÅL\_PISL HUK HMMVYKHISL M\YUP  
KLHSLYZOPW PUK\Z[Y` >L JHU Z\P[ `V\Y ZPaL HUK ZWHJL HZ ^LSS HZ  
ZLY]PJL [HISLZ YLJLW[PVU KLZRZ HUK ZLY]PJL HYLHZ =HYPV\Z VW[  
[OL TVZ[ M\UJ[PVUHS ^VYRPUN LU]PYVUTLU[



### Riser

9LZWLJ[ `V\Y J\Z[VTLY LTWSV`LL ZWHJL  
VM H ZLY]PJL YPZLY VU HU` VM V\Y HK]P  
addition to reception stations.



### Cabinet Doors

:OLS]PUN Z[VYHNL \UP[Z JHU IL PUZ[HSS  
JVTWSL[PUN HU VYNHUPaLK HUK JSLHU ^  
HSZV H]HPSHISL

### Shelving Unit/ Drawers

\*VUÄN\YLK VU YPNO[ VY SLM[ ZPKLZ 6W  
VY KYH^LY \UP[Z H]HPSHISL



### Keyboard tray/ Pencil drawer

2LLW [OL ^VYR ZWHJL VYNHUPaLK ^P[O H  
HKK [V [OL JVTMVY[ HUK WLYMVYTHUJL ^



### Articulating Monitor Arm

4VUP[VY HYTZ WYV]PKL LYNVUVTPJ JVTM  
ZH]PUNZ

### CPU Box Mount

2LLW JVTW\LYZ ZHML HUK JSLHU I` PUJS  
MVY [OL \*7< IV\_

[www.autodealershipfurniture.com](http://www.autodealershipfurniture.com)

CREST Manufacturing Corporation  
12490 49th Street N.  
Clearwater, Florida 33762

Toll Free: 877.821.2274  
Telephone: 727-572-5590  
Fax: 727-572-4775

## OPTIONS